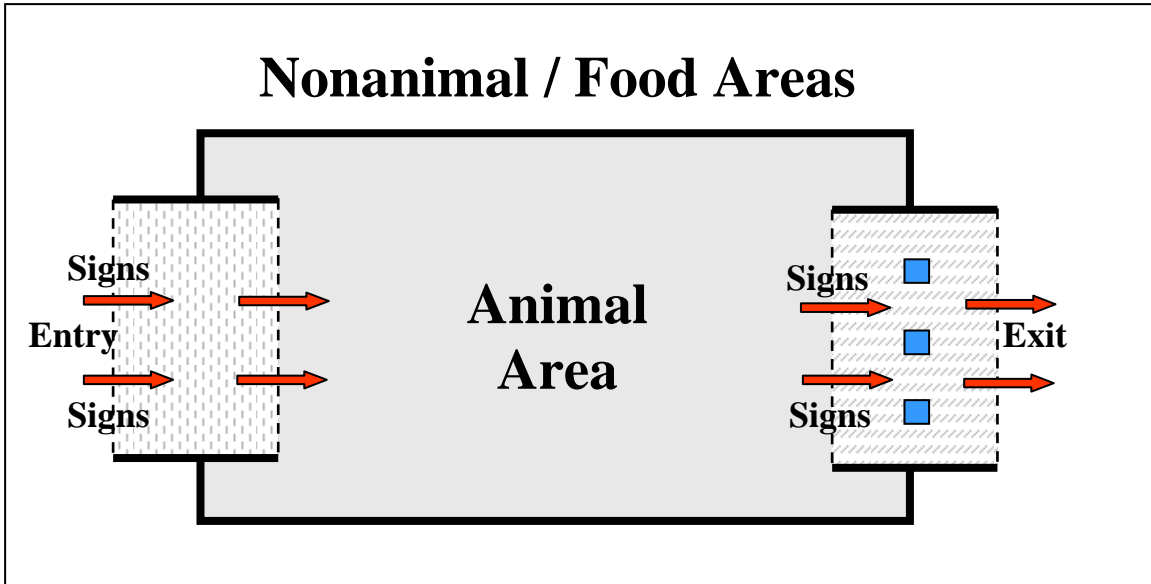
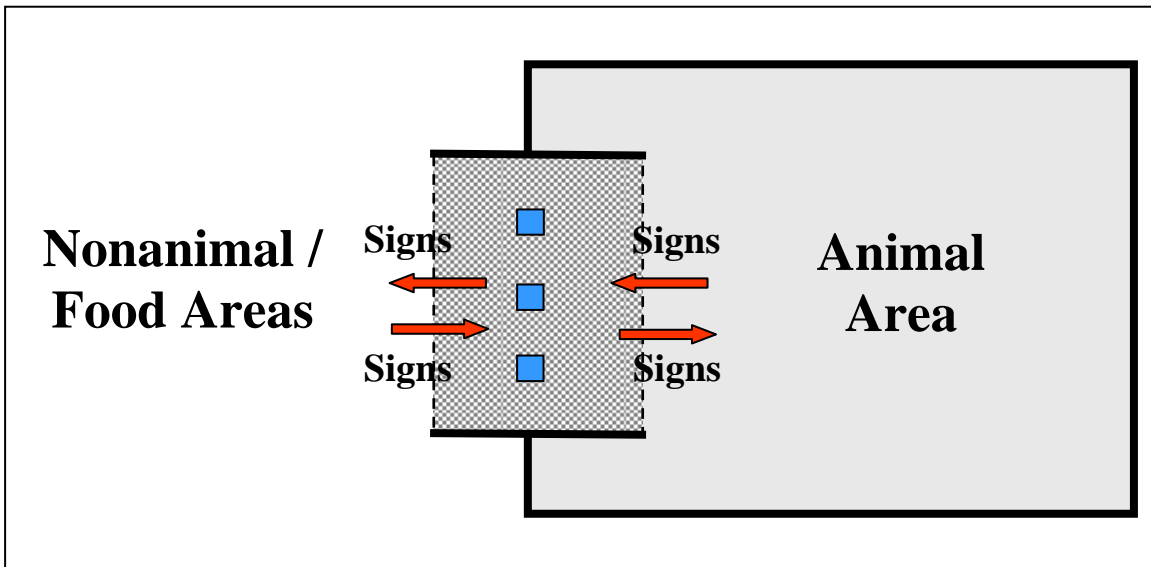


**Appendix C: Two Possible Designs for Animal Contact Facilities,
with Separate Animal and Non-animal/Food Areas as well as Transition Areas**

Design 1



Design 2



Legend

- Transition into animal area
Transition out of animal area
- Transition into and out of animal area (single entry and exit, Design 2)
- Flow of visitors

Hand-washing station